

# HCB-6000

1080p Analog HD Camera



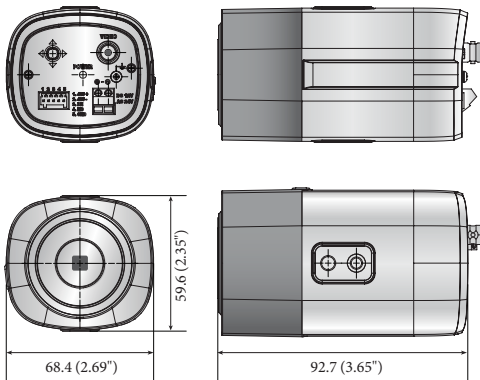
\* Lens not Included

## Key Features

- Full HD resolution
- 0.09 Lux@F1.2 (Color), 0.009 Lux@F1.2 (B/W)
- Day & Night (ICR), WDR (120dB)
- SSNRIV, Motion detection
- Transmission distance max.500m
- Easy Installation (Plug & play), Dual power, RS-485

## Dimensions

Unit : mm (inch)



HCB-6000N/P	
<b>VIDEO</b>	
Imaging Device	1/2.8" 2M CMOS
Total Pixels	1,945(H) x 1,109(V) 2.16M pixels
Effective Pixels	1,945(H) x 1,097(V) 2.13M pixels
Scanning System	Progressive Scan
Min. Illumination	Color : 0.09 Lux (F1.2, 1/30sec) B/W : 0.009 Lux (F1.2, 1/30sec)
S / N Ratio	52dB (AGC Off, Weight On)
Video Output	BNC (AHD / TVI / CVI / CVBS selectable)
Resolution	1920 x 1080
Max. Framerate	30fps@1080p(N) 25fps@1080p(P)
<b>LENS TYPE</b>	
Mount Type	C / CS
<b>OPERATIONAL</b>	
On Screen Display	Multi-language support (16) English, Japanese, Spanish, French, Portuguese, Korean, German, Italian, Russian, Polish, Czech, Romanian, Serbian, Swedish, Danish, Turkish
Camera Title	Off / On (Displayed 15 Characters)
Day & Night	Auto (ICR) / External / Color / B/W
Backlight Compensation	Off / User BLC / HLC / WDR
Wide Dynamic Range	120dB
Digital Noise Reduction	SSNRIV (Off / On)
Defog	Off / Auto / Manual
Motion Detection	Off / On (4 zones)
Privacy Masking	Off / On (8 zones rectangle)
Gain Control	Off / Low / Middle / High / Very High
White Balance	ATW / Outdoor / Indoor (4,500K° ~ 8,500K°) / Manual / AWC (1,800K° ~ 10,500K°)
Electronic Shutter Speed	1sec ~ 1/12,000sec
Reverse	Off / H-Rev / V-Rev / HV-Rev
Profile	Basic, Day & Night, Backlight, ITS, Indoor, User
Alarm	(MD) Output 1, External D/N 1
Remote Control Interface	Coaxial, RS-485
Protocol	AHD : ACP (AHD Coax Protocol), CVBS : Pelco-C (Coaxitron) CCP (CVI Coax Protocol), TCP (TVI Coax Protocol) RS-485 : Samsung T, Pelco D/P, Panasonic Bosch, Honeywell, Vicon, GE, AD
Video Transmission Distance	500m (5C2V Coaxial Cable)
<b>ENVIRONMENTAL</b>	
Operating Temperature / Humidity	-10°C ~ +55°C (+14°F ~ +131°F) / Less than 90% RH
<b>ELECTRICAL</b>	
Input Voltage / Current	Dual (24V AC ±10% & 12V DC ±10%)
Power Consumption	Max. 3.5W
<b>MECHANICAL</b>	
Color / Material	Ivory / Plastic
Dimensions (WxHxD)	68.4 x 59.6 x 92.7mm (2.69" x 2.35" x 3.65")
Weight	186g (0.41 lb)

\* The latest product information / specification can be found at [hanwha-security.com](http://hanwha-security.com)  
\* Design and specifications are subject to change without notice.

## Available Lenses / Accessories (Optional)

