

Tiandy



TC-C32LS Spec: I10/E/Y/M/5-50mm/V4.2 2MP Motorised Camera

Pro



KEY FEATURES

- Default: Metal
- Up to 1920x1080@25fps
- S+265/H.265/H.264
- Min. illumination Color: 0.002Lux@F1.6
- Smart IR, IR Range: 100m
- Support Human/Vehicle Classification
- Built-in Mic, SD Card Slot
- Operating Conditions -35°~65°, 0~95% RH
- POE, IP67



Tiandy Technologies Co.,Ltd.

Email: sales@tiandy.com Tel: +86-22-58596065
Website: en.tiandy.com Fax: +86-22-58596048



SPECIFICATIONS

Camera	
Image Sensor	1/2.8" CMOS
Signal System	PAL/NTSC
Min. Illumination	Color: 0.002Lux@ (F1.6, AGC ON), B/W: 0Lux with IR
Shutter Time	1s to 1/100,000s
Day & Night	Dual IR Cut Filter with Auto Switch
Wide Dynamic Range	120dB
Angle Adjustment	Bracket, pan: 0° to 360°, tilt: 0° to 90°, rotate: 0° to 360°
Lens	
Lens Type	Motorised
Focus	5-50mm
Lens Mount	All in one lens
Aperture	F1.6~F2.8
FOV	Horizontal field of view: 5.6~59.4° Vertical field of view: 3.2~34.2° Diagonal field of view: 6.2~66.3°
Illuminator	
IR LEDs	5
IR Range	Up to 100 m
Wavelength	850nm
White LEDs/Warmlights	0
Range	N/A
Compression Standard	
Video Compression	S+265/H.265/H.264
Video Bit Rate	32 Kbps~8Mbps
Audio Compression	G.711A/G.711U/ADPCM_D/AAC_LC
Audio Bit Rate	8K~48Kbps
Image	
Max. Resolution	1920×1080
Main Stream	PAL: 25fps(704x576, 704x288, 352x288, 640x360) NTSC: 30fps(704x480, 704x240, 352x240, 640x360)
Sub Stream	PAL: 25fps(704x576, 704x288, 352x288, 640x360) NTSC: 30fps(704x480, 704x240, 352x240, 640x360)
Third Stream	PAL: 25fps(704x576, 704x288, 352x288) NTSC: 30fps(704x480, 704x240, 352x240)
Image Setting	Saturation, brightness, contrast, sharpness, adjustable by client software or web browser
Image Enhancement	BLC/3D DNR/HLC
ROI	8
OSD	16×16, 32×32, 48×48, 64×64, adaptable size, Letters Such as Week, Date, Time, Total 3 Regions
Picture Overlay	Yes
Privace Mask	Yes, 4 regions
Smart Defog	Yes



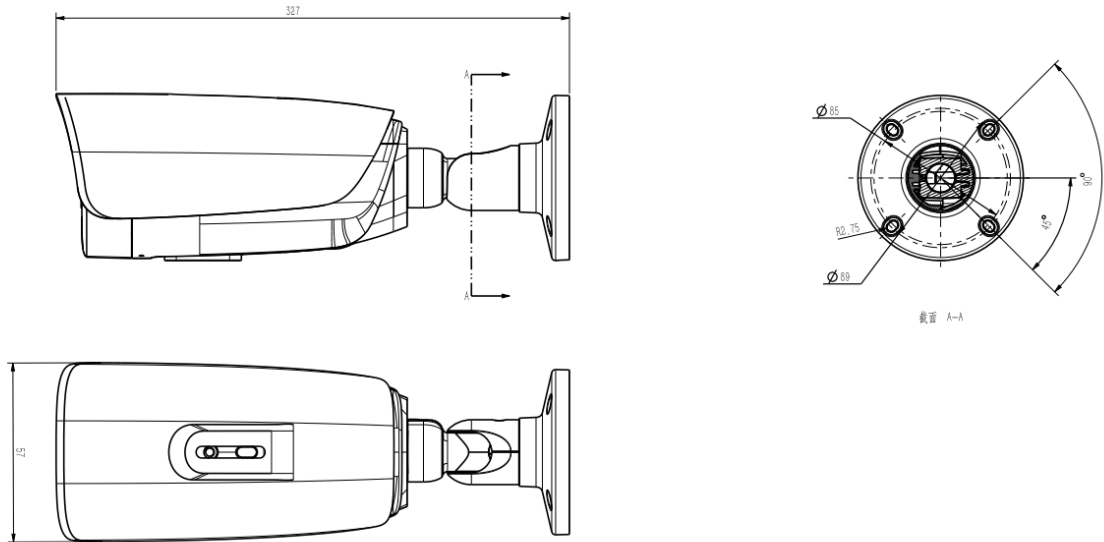
Feature	
Alarm Trigger	Motion Detection, Mask Alarm, IP Address Conflict
Video Analytics	Tripwire, Double Tripwire, Perimeter, Object Abandon, Object Lost, Loitering, Running, Parking, Crowded, People Counting, On Duty Detection, Video Abnormal, Audio Abnormal, Heatmap, Safety Helmet Detection, Human/Vehicle Classification
Early Warning(EW)	N/A
Network	
ANR	Yes, auto store video in SD card when NVR disconnected, and upload video to NVR when resumed connection (Only Support Tiandy ANR NVR)
Protocols	HTTP, HTTPS, TCP/IP, UDP, UPnP, ICMP, IGMP, SNMP, DHCP, DNS, DDNS, Easy DDNS, NTP, SMTP, 802.1X, QoS, IPv4, IPv6, PPPoE, SSH, Unicast, Multicast, RTCP, ARP
System Compatibility	ONVIF (PROFILE S/T/G), SDK, CGI, Milestone, SRTP, RTMP
Remote Connection	≤2
Client	Easy7, EasyLive Plus
Web Version	Web6
Interface	
Communication Interface	1 RJ45 10M/ 100M self adaptive Ethernet port
Audio I/O	1/1
Alarm I/O	2/1
Speaker	N/A
Reset Button	Yes
On-board storage	Built-in Micro SD card slot, up to 512 GB
General	
Web Client Language	17 languages Simplified Chinese/English/Traditional Chinese/Spanish/Italian/Korean/Turkish/Russian/Thai/Polish/French/Dutch/Hebrew/Vietnamese/Arabic/German/Ukrainian
Operating Conditions	-35°C ~ 65°C, 0 ~ 95% RH
Power Supply	DC 12V±25%, PoE (802.3af)
Power Consumption	MAX: 6.5W(12V) MAX: 8W(POE)
Protection	IP67
Heater	N/A
Dimensions	330×114.2×106.6mm
Net Weight	1.48kg
Dimensions of single packing case	335×145×160mm
Gross Weight	1.83kg
Volume of packing box	10

* Listed resolutions are only selectable options. It does not mean that all streams can work at their maximum resolution at the same time.

AVAILABLE MODEL

TC-C32LS SPEC: I10/E/Y/M/5-50MM/V4.2

DIMENSIONS (Unit: mm)



DISTRIBUTED BY



Tiandy Technologies Co.,Ltd.

Email: sales@tiandy.com
Website: en.tiandy.com

Tel: +86-22-58596065
Fax: +86-22-58596048