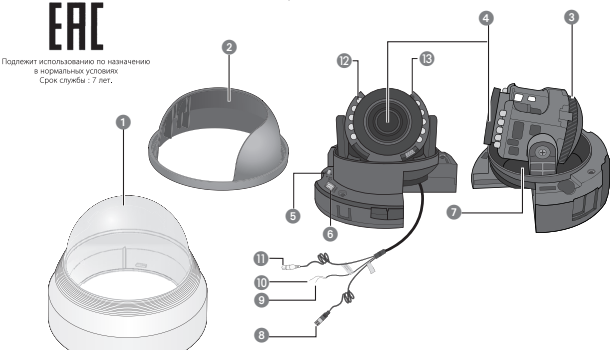




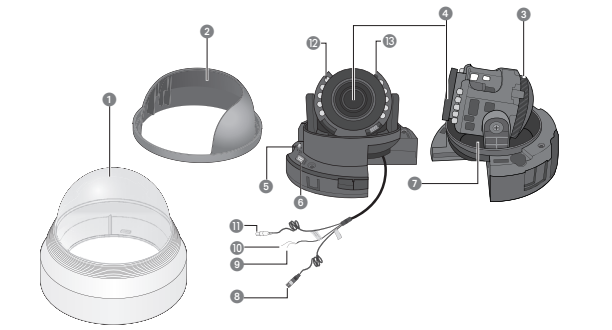
HCD-6080R Краткое руководство пользователя



- 1 Купольная крышка
2 Защитный колпак
3 Вращающееся основание : регулировка угла вращения камеры.
4 Модуль варифокального объектива с кратностью : 3,2 ~ 10mm (F1.6).

Table with 2 columns: MAIN SETUP and AHD / TVI / CVI / CVBS. It lists video format, profile, focus, and other settings.

HCD-6080R Hızlı Kılavuz

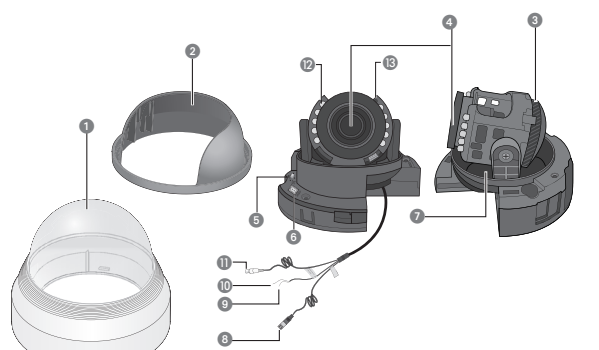


- 1 Dome Kapağı
2 Döndürme Tabanı : Kameranın dönmeye açısını kontrol eder.
3 Değişken Odaklı Lens Modülü : 3.2 ~ 10mm (F1.6).

Table with 2 columns: ANA AYAR and AHD / TVI / CVI / CVBS. It lists video format, profile, focus, and other settings in Turkish.

EDS Elektronik Destek Sanayi ve Ticaret Ltd. Şti.
Koyuncu Elektronik Bilgi İşlem Sistemleri San. ve Dış. Tic. A.Ş.
NFS Teknoloji ve Otomasyon Sistemleri San. Ve Tic. Ltd. Şti.

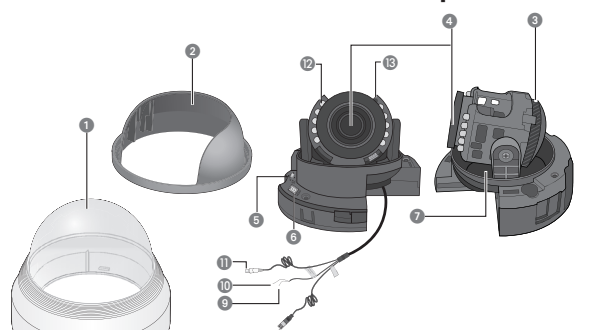
HCD-6080R Skrócona instrukcja obsługi



- 1 Osłona kopułki
2 Podstawa obrotowa : sterowanie kątem obrotu kamery.
3 Moduł obiektywu zmiennooogniskowego : 3,2 ~ 10mm (F1.6).

Table with 2 columns: GŁÓWNA and AHD / TVI / CVI / CVBS. It lists video format, profile, focus, and other settings in Polish.

HCD-6080R Manual Rápido

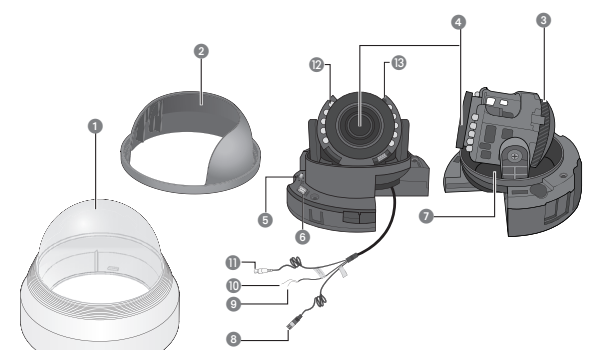


- 1 Cobertura de abóbada
2 Base de rotação : controla o ângulo de rotação da câmara.
3 Módulo de lente varifocal : 3,2 ~ 10mm (F1.6).

Table with 2 columns: PRINCIPAL and AHD / TVI / CVI / CVBS. It lists video format, profile, focus, and other settings in Portuguese.

EDS Elektronik Destek Sanayi ve Ticaret Ltd. Şti.
Koyuncu Elektronik Bilgi İşlem Sistemleri San. ve Dış. Tic. A.Ş.
NFS Teknoloji ve Otomasyon Sistemleri San. Ve Tic. Ltd. Şti.

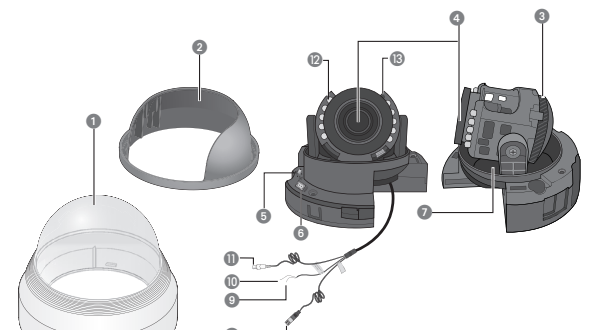
HCD-6080R Ghid rapid



- 1 Îveliș dom
2 Carcasă de protecție
3 Suport de răsucire : Controlează unghiul de răsucire al camerei.
4 Modulul lentilă vari-focală : 3,2 ~ 10mm (F1.6).

Table with 2 columns: PRINCIPALĂ and AHD / TVI / CVI / CVBS. It lists video format, profile, focus, and other settings in Romanian.

HCD-6080R الدليل السريع للكاميرا

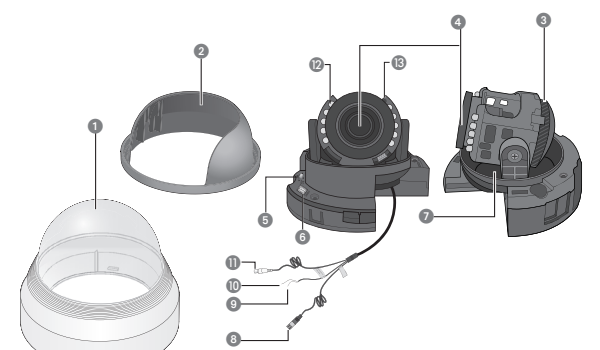


- 1 غطاء القبة
2 درج حماية
3 قاعدة التدوير: التحكم في زاوية تدوير الكاميرا.
4 وحدة عدسة البؤرة المتغيرة: 3.2 ~ 10 مم (البؤرة البؤري 1.6).

Table with 2 columns: MAIN SETUP and AHD / TVI / CVI / CVBS. It lists video format, profile, focus, and other settings in Arabic.

EDS Elektronik Destek Sanayi ve Ticaret Ltd. Şti.
Koyuncu Elektronik Bilgi İşlem Sistemleri San. ve Dış. Tic. A.Ş.
NFS Teknoloji ve Otomasyon Sistemleri San. Ve Tic. Ltd. Şti.

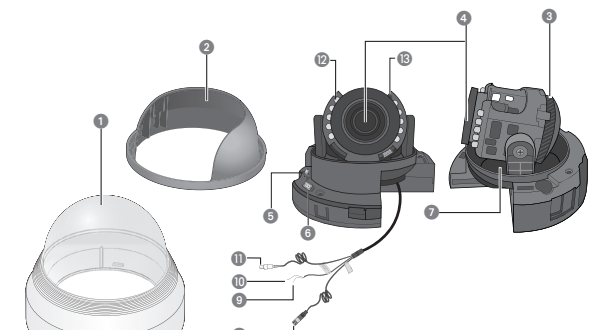
HCD-6080R Brzi vodič



- 1 Poklopac kupole
2 Zaštitno kućište
3 Rotiranje osnovne : Kontrolisanje ugla rotiranja kamere.
4 Modul varifokalnog sočiva : 3,2 ~ 10mm (F1.6).

Table with 2 columns: PODEŠAVANJE and AHD / TVI / CVI / CVBS. It lists video format, profile, focus, and other settings in Serbian.

HCD-6080R 간단 설명서

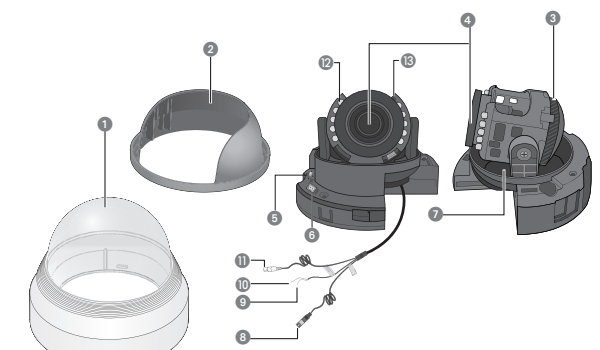


- 1 돔 커버
2 회전 베이스 : Rotate 각도를 조정합니다.
3 Vari-focal 렌즈 모듈 3.2 ~ 10mm (F1.6).

Table with 2 columns: 기능 설정 and AHD / TVI / CVI / CVBS. It lists video format, profile, focus, and other settings in Korean.

EDS Elektronik Destek Sanayi ve Ticaret Ltd. Şti.
Koyuncu Elektronik Bilgi İşlem Sistemleri San. ve Dış. Tic. A.Ş.
NFS Teknoloji ve Otomasyon Sistemleri San. Ve Tic. Ltd. Şti.

HCD-6080R Snabbmanual



- 1 Kuppelhölje
2 Roteringssockel : Styr kamerans roteringsvinkel.
3 Varifokal lens : 3,2 ~ 10mm (F1.6).

Table with 2 columns: MAIN SETUP and AHD / TVI / CVI / CVBS. It lists video format, profile, focus, and other settings in Swedish.

Table with 2 columns: 제품명, 모델명, 구입일자, 보증기간. It lists product name, model name, purchase date, and warranty period.

Table with 2 columns: 고객주소, 성명, 연락처. It lists customer address, name, and contact information.

※ 제품 판매시 공란의 내용을 필히 기입하여 주십시오.

서비스를 받으실 때

사용설명서를 한번 더 읽어주시시오.
고장이라 생각되면 서비스하기 전에 반드시 사용설명서를 한번 더 읽어 주십시오.

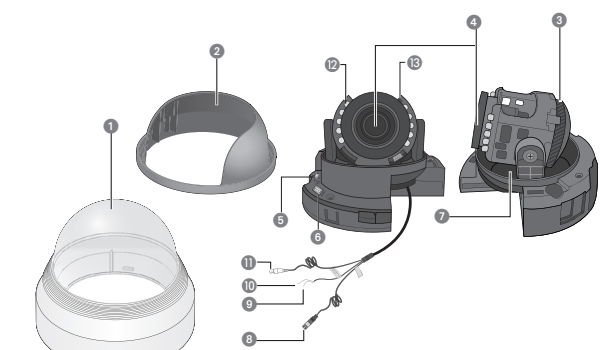
Table with 2 columns: 한화테크윈(주), 경기도 성남시 분당구 판교로 319번길 6(삼평동 701), 영입, 부산영업소, 대구영업소, 광주영업소, 대전영업소.

아래 사항에 따른 고장은 유상 처리됩니다.
1) 사용자 취급 부주의에 의한 고장
2) 정격전원외의 전원 연결시
3) 사용자 임의로 분해, 수리한 경우

한화테크윈주식회사

A급기기 (업무용 방송통신기자재)
이 기기는 업무용(A급) 전자파적합기기로서 판매자 또는 사용자가 이 점을 주의하시기 바라며, 가정외의 지역에서 사용하는 것을 목적으로 합니다.

HCD-6080R Kvikmanual



- 1 Kuppeldæksel
2 Rotationssockel : Styling af kameræts rotationsvinkel.
3 Zoomobjektiv linse-modul : 3,2 ~ 10mm (F1.6).

Table with 2 columns: MAIN SETUP and AHD / TVI / CVI / CVBS. It lists video format, profile, focus, and other settings in Danish.

Hanwha Techwin cares for the environment at all product manufacturing stages, and is taking measures to provide customers with more environmentally friendly products.

Correct Disposal of This Product (Waste Electrical & Electronic Equipment)

(Applicable in the European Union and other European countries with separate collection systems)
This marking on the product, accessories or literature indicates that the product and its electronic accessories (e.g. charger, headset, USB cable) should not be disposed of with other household waste at the end of their working life.

Household users should contact either the retailer where they purchased this product, or their local government office, for details of where and how they can take these items for environmentally safe recycling.

Correct disposal of batteries in this product

(Applicable in the European Union and other European countries with separate battery return systems)
This marking on the battery, manual or packaging indicates that the batteries in this product should not be disposed of with other household waste at the end of their working life.

To protect natural resources and to promote material reuse, please separate batteries from other types of waste and recycle them through your local, free battery return system.

FCC Statement

This device complies with part 15 of the FCC Rules. Operation is subject to the following two conditions:
This device may not cause harmful interference, and
This device must accept any interference received including interference that may cause undesired operation.